

Choose drain for piece list on page one!

DN 70

without insulation

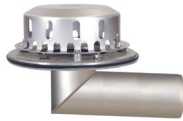
LX888-5X

Drain Art.-No. 21514.070X

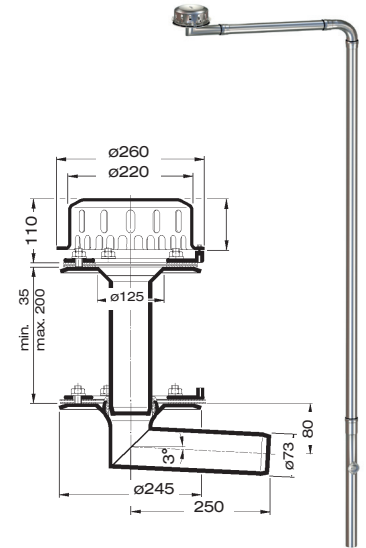
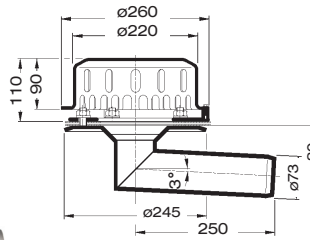
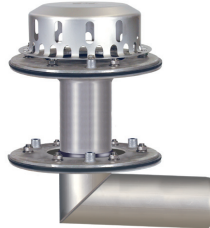
LX888-6X

Drain Art.-No. 21524.070X

with clamping flange one-piece
for bituminous and plastic roofing sheets



with clamping flange two-piece
for bituminous and plastic roofing sheets



with insulation

LX888-7X

Drain Art.-No. 21515.070X

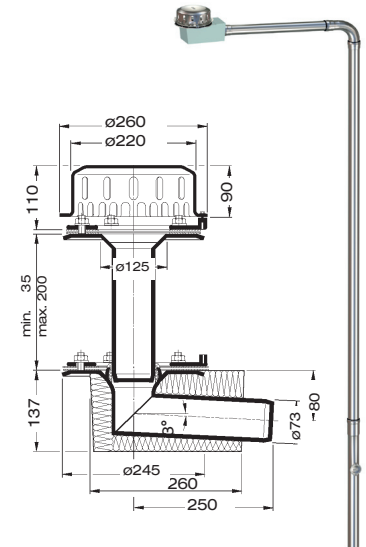
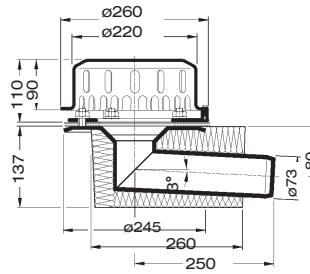
LX888-8X

Drain Art.-No. 21525.070X

with clamping flange one-piece
for bituminous and plastic roofing sheets



with clamping flange two-piece
for bituminous and plastic roofing sheets



with insulation and heating

LX888-9X

Drain Art.-No. 21516.070X

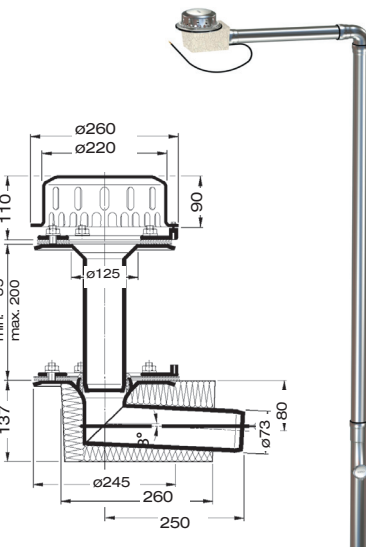
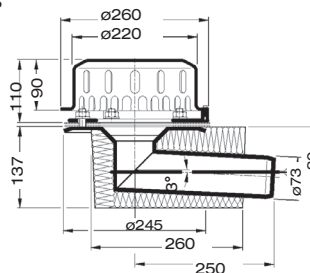
LX888-10X

Drain Art.-No. 21526.070X

with clamping flange one-piece
for bituminous and plastic roofing sheets



with clamping flange two-piece
for bituminous and plastic roofing sheets



Heat tracing: Lorowerk recommends to check all drains and pipes with regard to their frost-sensibility. Where necessary, these parts should be upgraded with heat tracing.